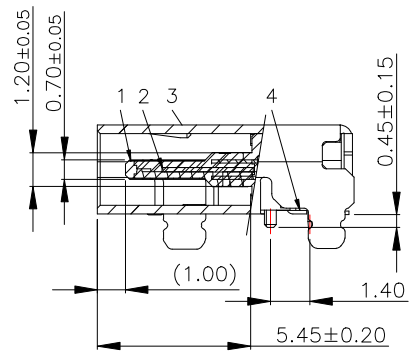
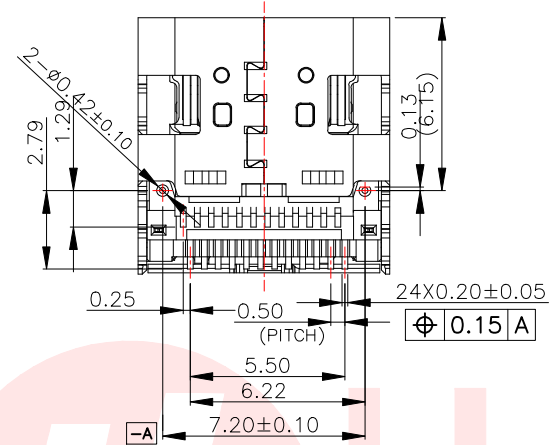
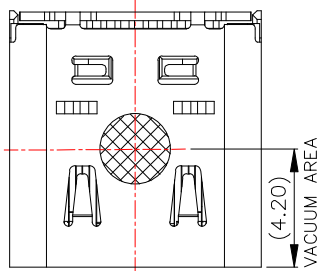
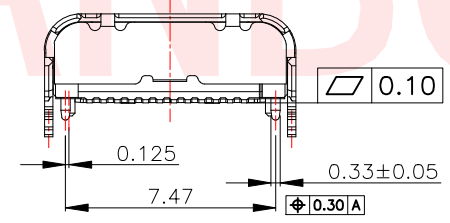
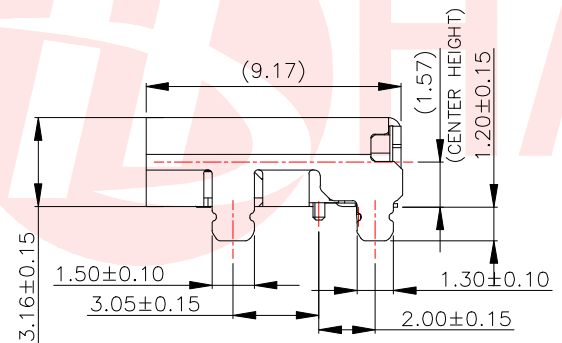
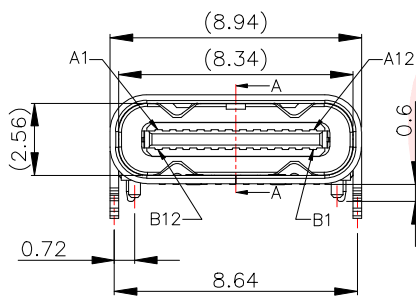




REV.	ECN NO OR DESCRIPTION	REVISED	DATE



MC-273-EP24Z16-003	1.60
MC-273-EP24Z12-003	1.20
MC-273-EP24Z09-003	0.90
MC-273-EP24Z06-003	0.60
料号	壳脚长L



PART NO.
MC-273-EP24ZXX-XXX

001=镀金1u"
003=镀金3u"
005=镀金5u"
015=镀金15u"
030=镀金30u"

PIN ASSIGNMENT:

A1	A2	A3	A4	A5	A6	A7	A8	A9	A10	A11	A12
GND	TX1+	TX1-	Vbus	CC1	D+	D-	SBU1	Vbus	RX2-	RX2+	GND
GND	RX1+	RX1-	Vbus	SBU2	D-	D+	CC2	Vbus	TX2-	TX2+	GND
B12	B11	B10	B9	B8	B7	B6	B5	B4	B3	B2	B1

NOTE/注释:

1. SPECIFICATION/规格:

- 1.1 Rated current (额定电流) : 5.0 A
- 1.2 Voltage rating (额定电压) : 5V AC
- 1.3 Contact Resistance (接触阻抗) : 40 m Ω Max.
- 1.4 Insulation Resistance (绝缘阻抗) : 100MΩ Min.
- 1.5 Withstanding voltage (耐电压) : 100 VAC/minute
- 1.6 Mating force (插入力) : 5~20N .
- 1.7 Unmating force (拔出力) : 8~20N.
- 1.8 Durability Cycle(寿命循环):10,000 cycle
- 1.9 Operating temperature (工作温度) : -40°~+85°

4	TERMINAL	24	COPPER ALLOY XYK-40(C18140)	MATING SIDE:SEE PART NO; SOLDER TAIL:Gold FLASH, 50u" NICKEL OVERALL.	T=0.12
3	SHELL	1	SUS304	30U" NICKEL PLATING	T=0.30
2	MID PLATE	1	SUS301	30U" NICKEL PLATING	T=0.15
1	MAIN HOUSING	1	HIGH TEMPERATURE	PA9T UL94 V-0-BLACK	UL94V-0
ITEM	DESCRIPTION	Q'TY	MATERIAL	FINISH	REMARK

BILL OF MATERIAL

UNLESS OTHERWISE SPECIFIED TOLERANCES

东莞市汉博电子科技有限公司
DONGGUAN HANBO TECHNOLOGY CO., LTD

DECIMALS: X :±0.30 X.X :±0.20 X.XX :±0.10

ANGLES: X :±2° X.X :±1°

TITLE: DWN xiong

TYPE: C 4.0母座有后盖单壳双贴SMT 板上平贴CH=1.57,L=9.17有DIP脚

PART NO. MC-273-EP24ZXX-003

SCALE: 1:1

SIZE: A4

UNIT: mm

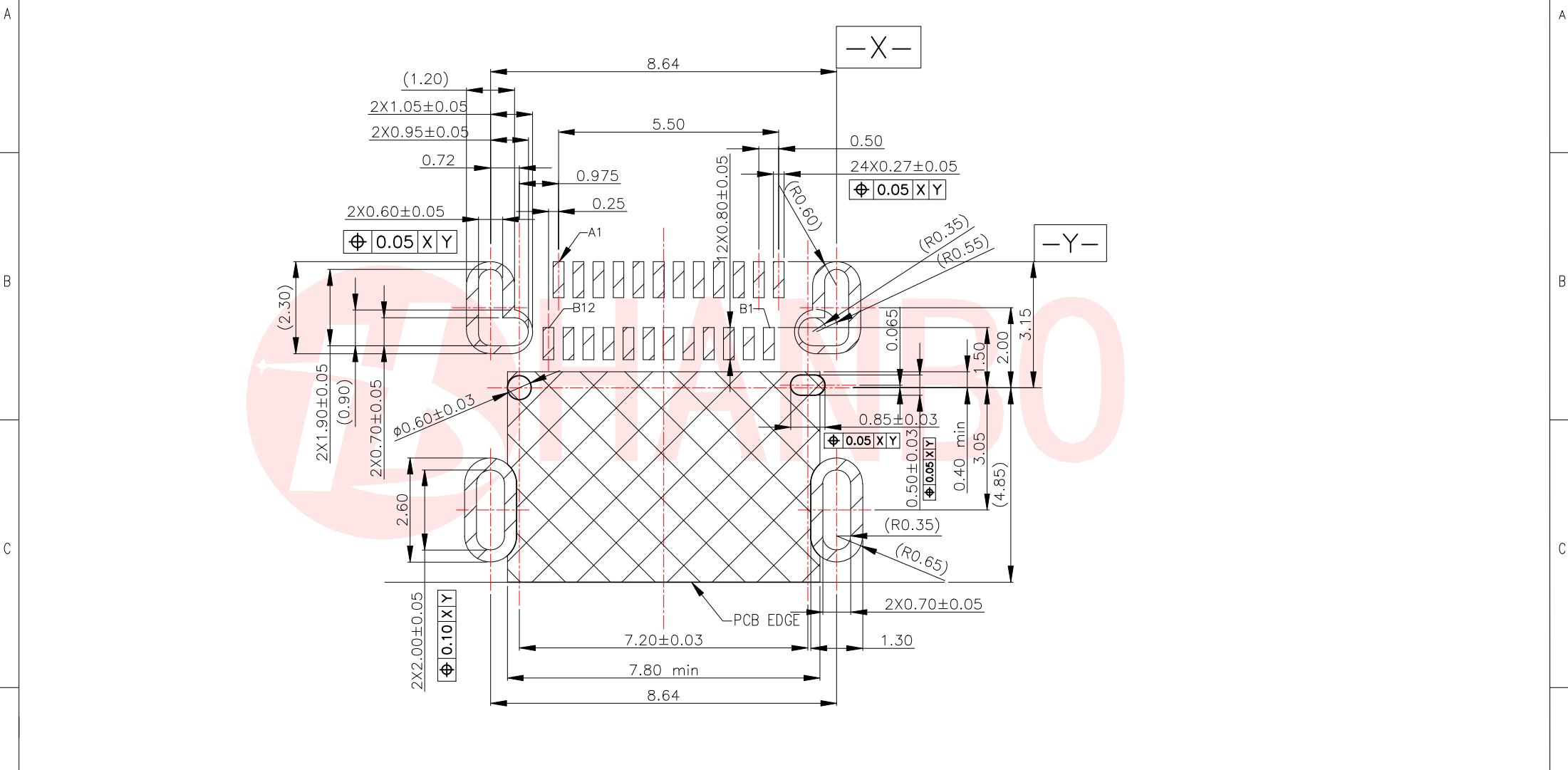
SHEET: 10F 1

REV: A4

CUSTOMER COPY



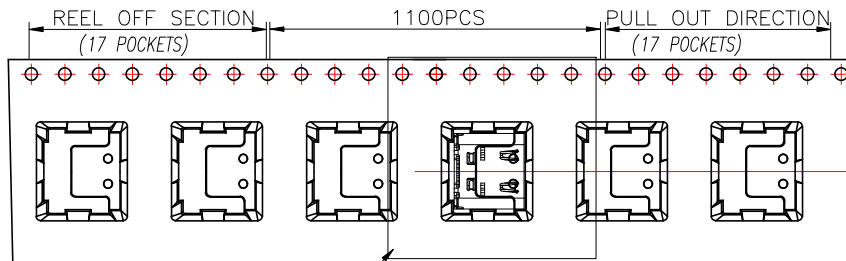
REV.	ECN NO OR DESCRIPTION	REVISED	DATE



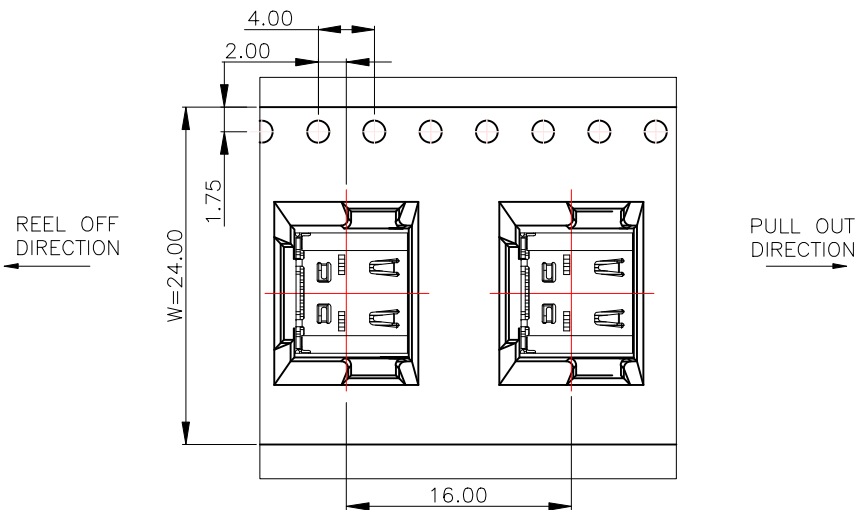
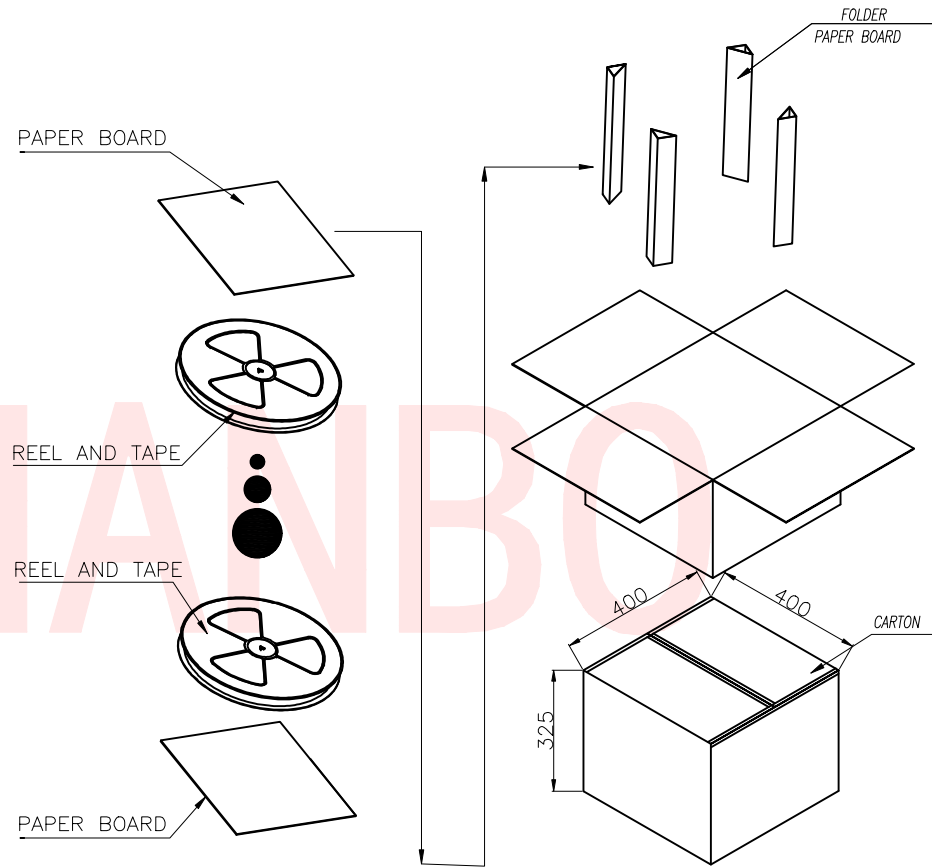
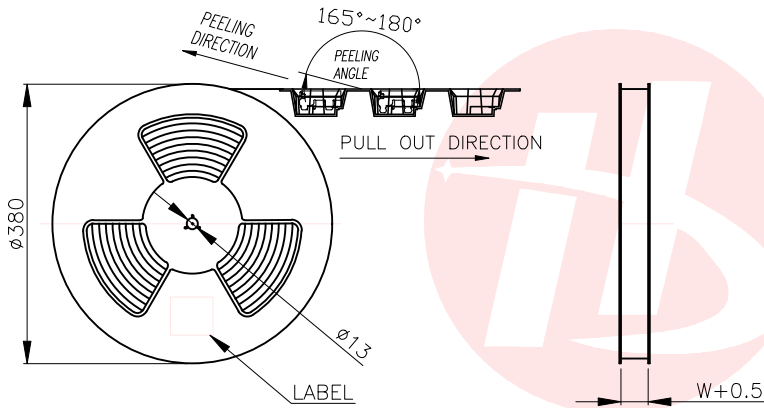
UNLESS OTHERWISE SPECIFIED TOLERANCES		东莞市汉博电子科技有限公司 DONGGUAN HANBO TECHNOLOGY CO., LTD		
DECIMALS:	ANGLES:	TITLE	TYPE C 4.0母座有后盖单壳双贴SMT 板上平贴CH=1.57,L=9.17有DIP脚	
X :±0.30	X :±2°	DWN	xiong	PART NO. MC-273-EP24ZXX-003
X.X :±0.20	X.X :±1°	CHKD	lee	SCALE:1:1 UNIT: mm
X.XX :±0.10		APVD	wang	SIZE: A4 SHEET:10F 1 REV: A4
CUSTOMER COPY				



REV.	ECN NO OR DESCRIPTION	REVISED	DATE



SEE DETAIL X



		REEL	CARTON
CONNECTOR (PCS)		1100	11000
UNLESS OTHERWISE SPECIFIED TOLERANCES		东莞市汉博电子科技有限公司 DONGGUAN HANBO TECHNOLOGY CO., LTD	
DECIMALS:	ANGLES:	TITLE TYPE C 4.0母座有后盖单壳双贴SMT 板上平贴CH=1.57,L=9.17有DIP脚	
X :±0.30	X :±2°	DWN	xiong PART NO. MC-273-EP24ZXX-003
X.X :±0.20	X.X :±1°	CHKD	lee SCALE:1:1 UNIT: mm
X.XX :±0.10		APVD	wang SIZE: A4 SHEET:10F 1 REV: A4
CUSTOMER COPY			