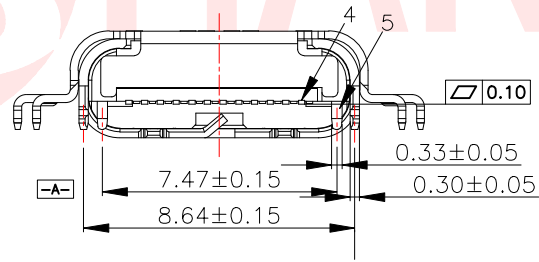
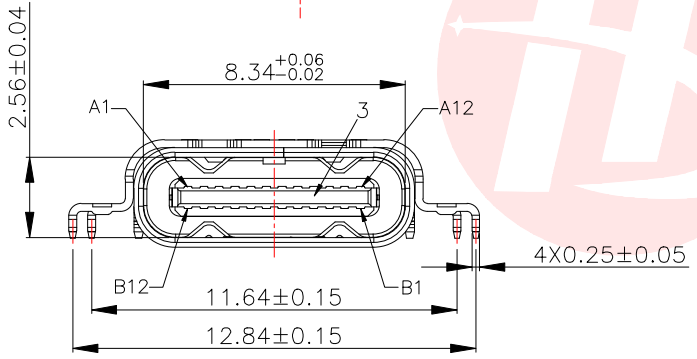
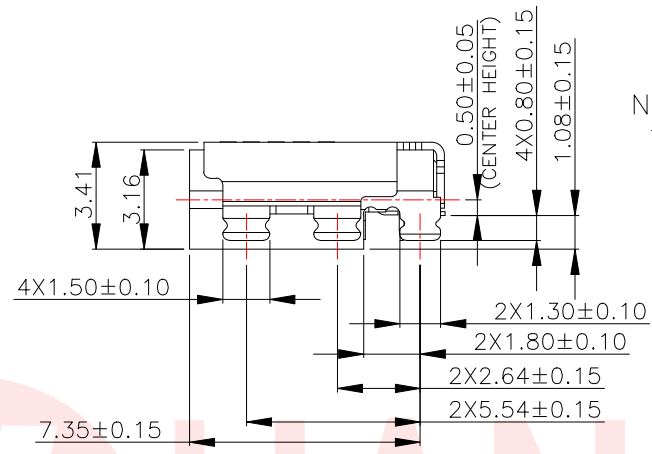
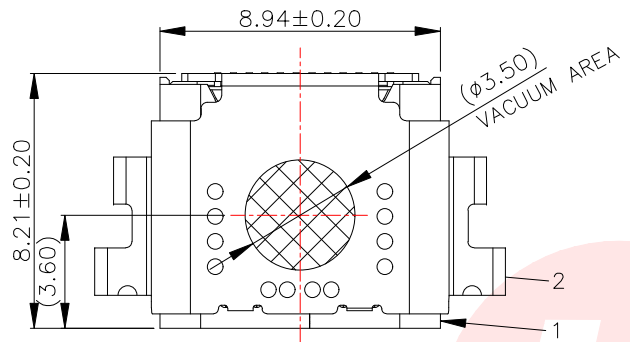




REV.	ECN NO OR DESCRIPTION	REVISED	DATE



NOTE/注释:

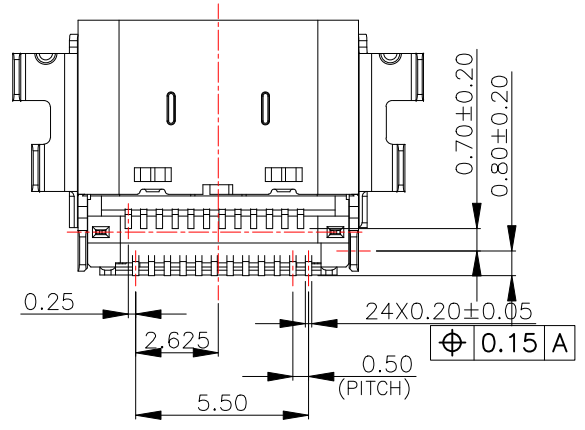
1. SPECIFICATION/规格:
 - 1.1 Rated current (额定电流): 5.0 A
 - 1.2 Voltage rating (额定电压): 5V AC
 - 1.3 Contact Resistance (接触电阻): 40 mΩ Max.
 - 1.4 Insulation Resistance (绝缘电阻): 100MΩ Min.
 - 1.5 Withstanding voltage (耐电压): 100 VAC/minute
 - 1.6 Mating force (插入力): 5~20N
 - 1.7 Unmating force (拔出力): 8~20N
 - 1.8 Durability Cycle (寿命循环): 10,000 cycle
 - 1.9 Operating temperature (工作温度): -40°~+85°

PART NO.
MC-275-EP24Z08-003

- 001=镀金1u"
- 003=镀金3u"
- 005=镀金5u"
- 015=镀金15u"
- 030=镀金30u"

PIN ASSIGNMENT

A1	A2	A3	A4	A5	A6	A7	A8	A9	A10	A11	A12
GND	TX1+	TX1-	Vbus	CC1	D+	D-	SBU1	Vbus	RX2-	RX2+	GND
B12	B11	B10	B9	B8	B7	B6	B5	B4	B3	B2	B1



ITEM	DESCRIPTION	Q'TY	MATERIAL	FINISH	REMARK
5	MID PLATE	1	SUS301-H	30U" NICKEL PLATING	T=0.15
4	TERMINAL	24	COPPER ALLOY	MATING SIDE: Au 30u"MIN; SOLDER TAIL: Gold FLASH, 50u" NICKEL OVERALL.	T=0.12
3	MAIN HOUSING		HIGH TEMPERATURE	PA9T BLACK	UL94V-0
2	OUT SHELL	1	STAINLESS STEEL	30U" NICKEL PLATING	T=0.25
1	MAIN SHELL	1	STAINLESS STEEL	30U" NICKEL PLATING	T=0.30

BILL OF MATERIAL

UNLESS OTHERWISE SPECIFIED TOLERANCES

DECIMALS: X :±0.30 X.X :±0.20 X.XX :±0.10

ANGLES: X :±2° X.X :±1°

东莞市汉博电子科技有限公司
DONGGUAN HANBO TECHNOLOGY CO., LTD

TITLE: TYPE C 4.0母座有后盖双壳板上有DIP脚CH=0.5,L=8.21过40G

DWN xiong PART NO. MC-275-EP24Z08-003

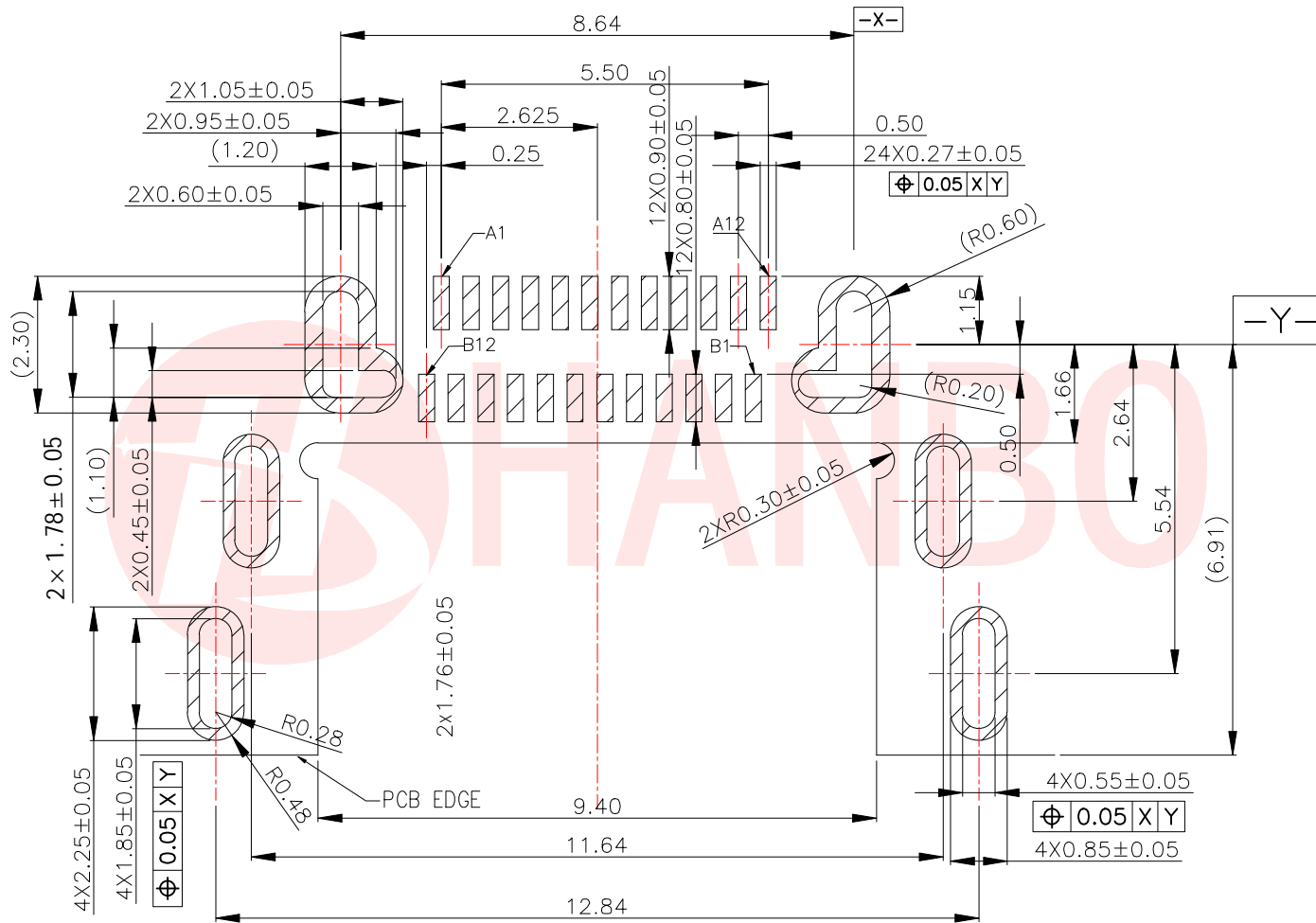
CHKD lee SCALE:1:1 UNIT: mm

APVD wang SIZE: A4 SHEET:10F 1 REV: A4

CUSTOMER COPY



REV.	ECN NO OR DESCRIPTION	REVISED	DATE



UNLESS OTHERWISE SPECIFIED TOLERANCES

DECIMALS:	ANGLES:
X :±0.30	X :±2°
X.X :±0.20	X.X :±1°
X.XX :±0.10	

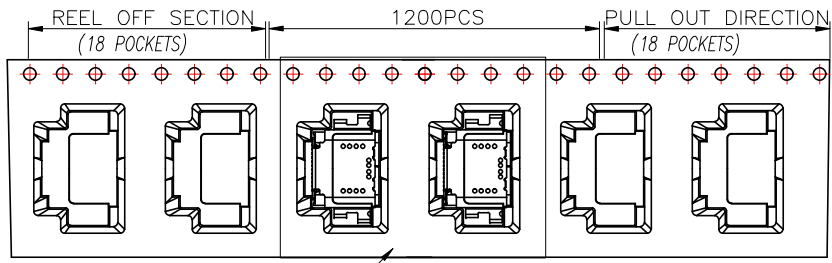
东莞市汉博电子科技有限公司
DONGGUAN HANBO TECHNOLOGY CO., LTD

TITLE	TYPE C 4.0母座有后盖双壳板上有DIP脚CH=0.5,L=8.21寸40G			
DWN	xiong	PART NO. MC-275-EP24Z08-003		
CHKD	lee	SCALE:1:1	UNIT: mm	
APVD	wang	SIZE: A4	SHEET:10F 1	REV: A4

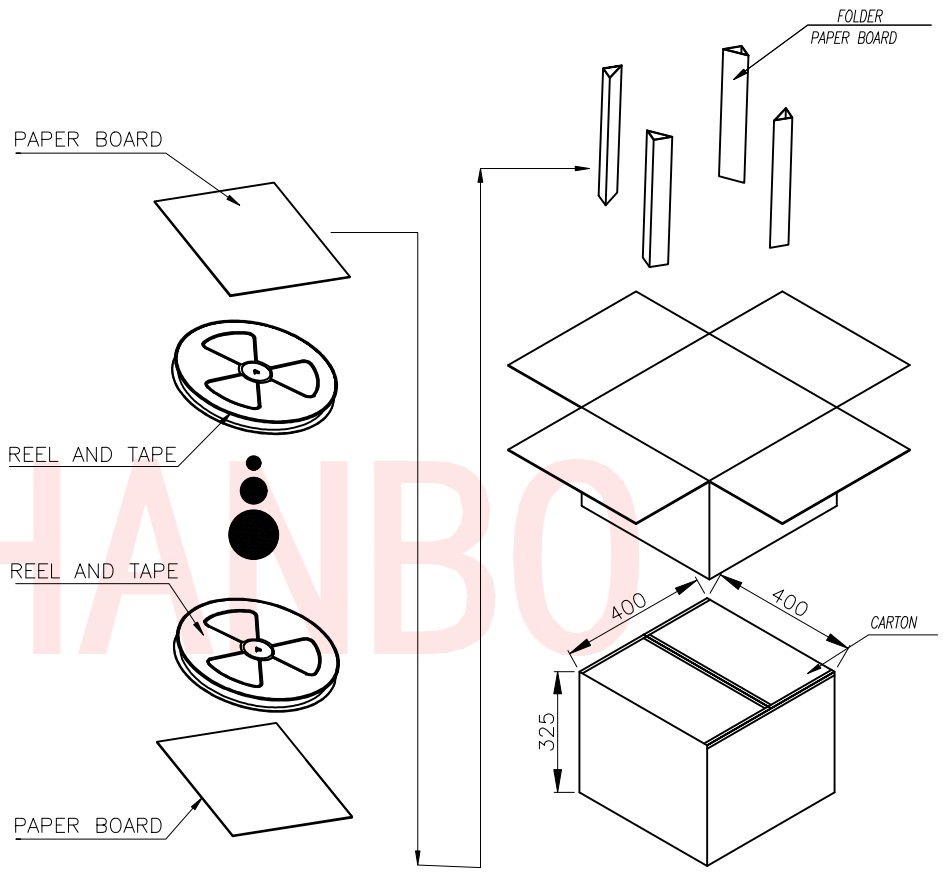
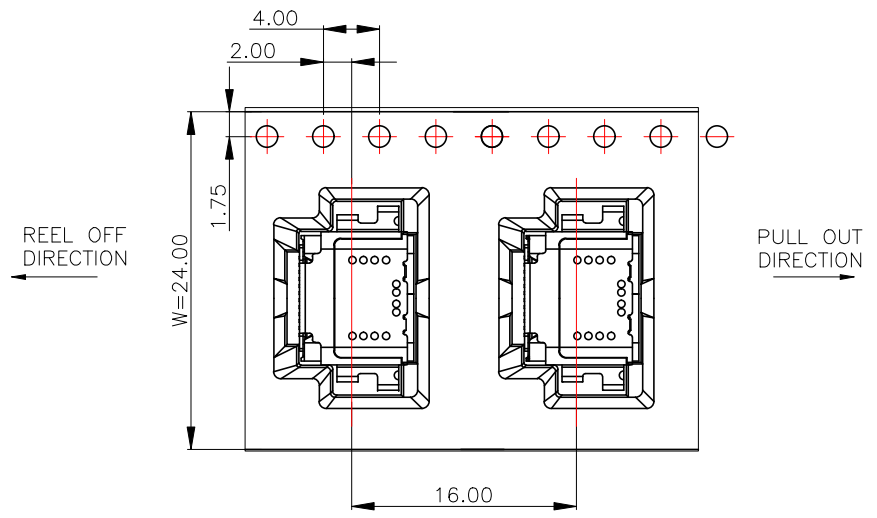
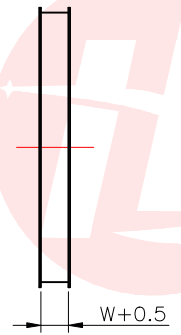
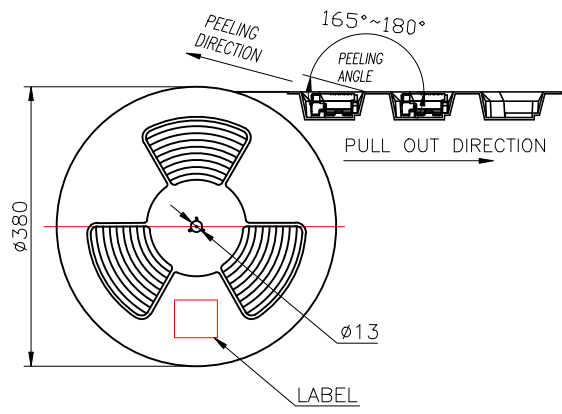
CUSTOMER COPY



REV.	ECN NO OR DESCRIPTION	REVISED	DATE



SEE DETAIL X



	REEL	CARTON
CONNECTOR (PCS)	1200	12000
UNLESS OTHERWISE SPECIFIED TOLERANCES	东莞市汉博电子科技有限公司 DONGGUAN HANBO TECHNOLOGY CO., LTD	
DECIMALS:	TITLE	
X :±0.30	TYPE C 4.0母座有后盖双壳板上有DIP脚CH=0.5,L=8.21过40G	
X.X :±0.20	DWN	xiong
X.XX :±0.10	ANGLES:	PART NO. MC-275-EP24Z08-003
	X :±2°	SCALE:1:1
	X.X :±1°	UNIT: mm
		SIZE: A4
		SHEET:10F 1
		REV: A4
	CUSTOMER COPY	