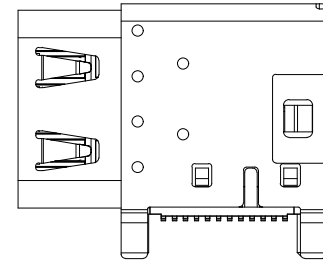
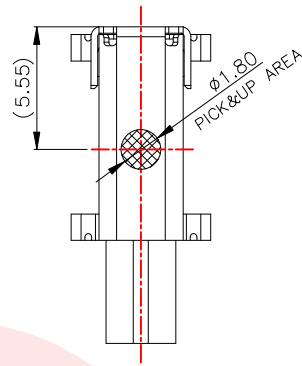
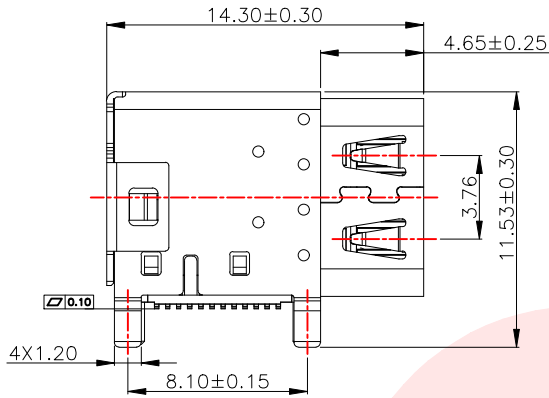




REV.	ECN NO OR DESCRIPTION	REVISED	DATE

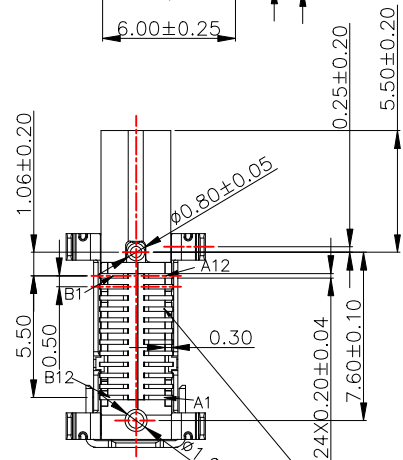
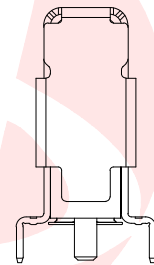
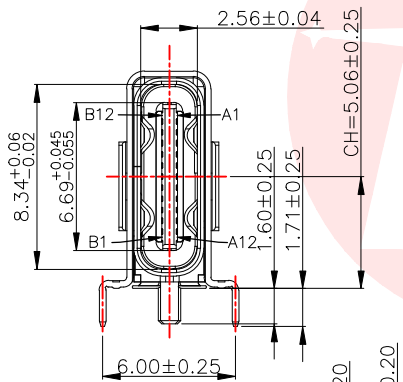
### SPECIFICATION

- CURRENT RATING : 5.0A FOR Vbus PIN,  
1.25A FOR Vconn PIN,  
0.25A FOR OTHER PINS.
- CONTACT RESISTANCE : 40mΩ.
- INSULATION RESISTANCE : 100MΩ MIN.
- DIELECTRIC WITHSTANDING VOLTAGE : 100 VAC MIN.
- OPERATING TEMPERATURE : -40°C TO +85°C.
- MATING FORCE : 5~20N.
- UNMATING FORCE : 8~20N.
- DURABILITY : 10,000 CYCLES.
- RECOMMENDED PROCESS :  
THE PEAK TEMPERATURE ON THE BOARD SHALL  
MAINTAIN 260°C.

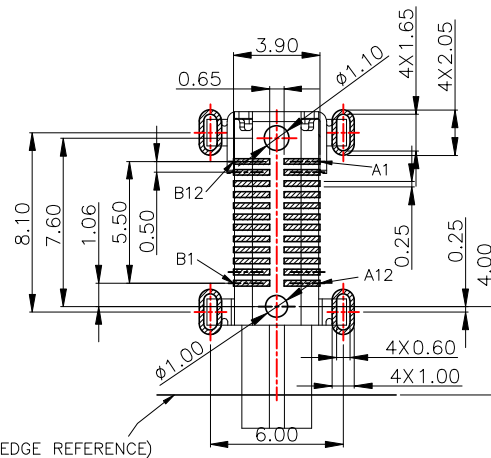


### PIN ASSIGNMENT

A1	A2	A3	A4	A5	A6	A7	A8	A9	A10	A11	A12
GND	TX1+	TX1-	Vbus	CC1	D+	D-	SBU1	Vbus	RX2-	RX2+	GND
GND	RX1+	RX1-	Vbus	SBU2	D-	D+	CC2	Vbus	TX2-	TX2+	GND
B12	B11	B10	B9	B8	B7	B6	B5	B4	B3	B2	B1



焊接区金G/F  
测点位置



RECOMMENDED P.C.B LAYOUT  
TOLERANCE ± 0.05mm

5	TERMINAL	24	COPPER ALLOY	MATING SIDE: Au Plated see P/N SOLDER TAIL: Gold FLASH, 50u" NICKEL OVERALL.	T=0.12
4	OUT SHELL	1	STAINLESS STEEL	NICKEL PLATING	T=0.30
3	MAIN SHELL	1	STAINLESS STEEL	NICKEL PLATING	T=0.30
2	MID PLATE	1	STAINLESS STEEL	NICKEL PLATING	T=0.15
1	MAIN HOUSING	1	HIGH TEMPERATURE	LCP	BLACK UL94V-0
ITEM	DESCRIPTION	QTY	MATERIAL	FINISH	REMARK
			BILL OF MATERIAL		

UNLESS OTHERWISE  
SPECIFIED TOLERANCES



东莞市汉博电子科技有限公司  
DONGGUAN HANBO TECHNOLOGY CO., LTD

DECIMALS: X :±0.30  
X.X :±0.20  
X.XX :±0.10

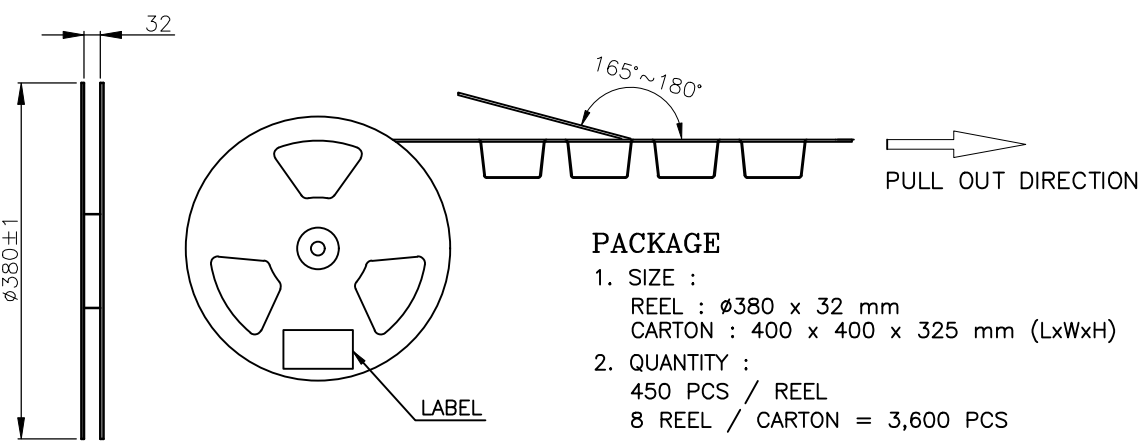
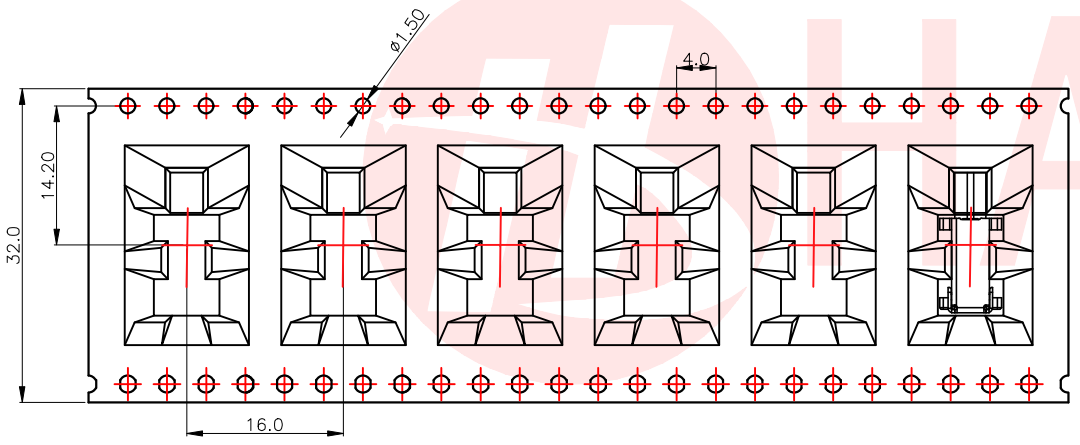
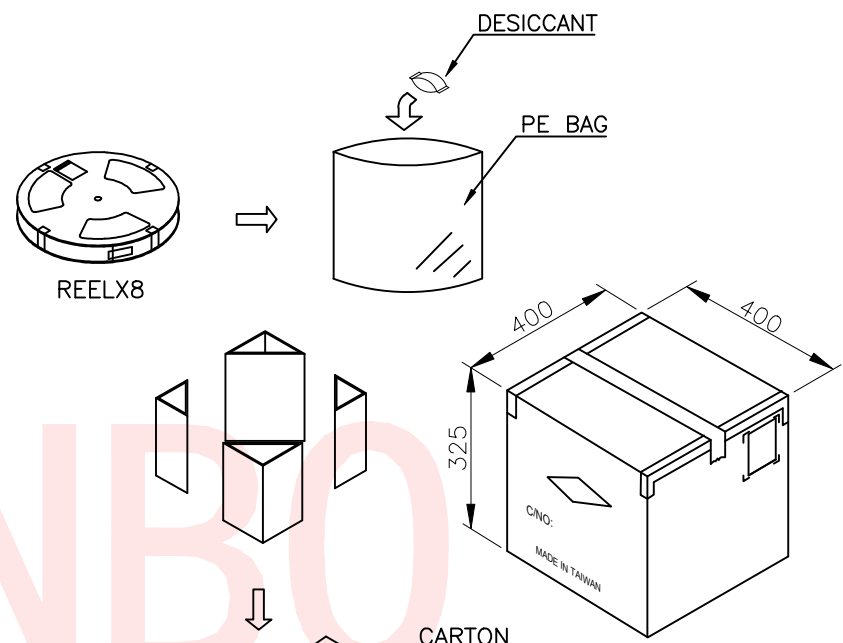
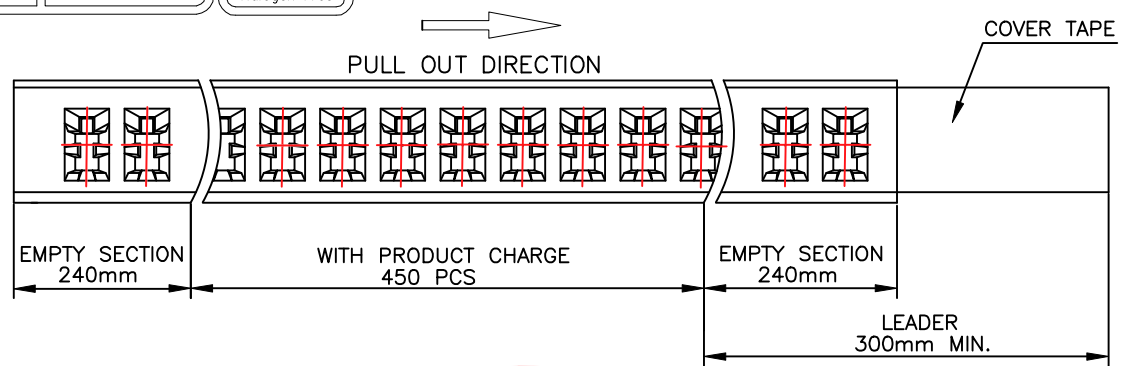
ANGLES: X :±2°  
X.X :±1°

TITLE	USB TYPE C 3.2 24PIN SMT UPRIGHT STRAIGHT TAB			
DWN	xiong	PART NO. MC-265C		
CHKD	lee	SCALE: 1:1	UNIT: mm	
APVD	wang	SIZE: A4	SHEET: 10F 1	REV: A4

CUSTOMER COPY



REV.	ECN NO OR DESCRIPTION	REVISED	DATE



**PACKAGE**

1. SIZE :  
 REEL :  $\phi 380 \times 32$  mm  
 CARTON : 400 x 400 x 325 mm (LxWxH)

2. QUANTITY :  
 450 PCS / REEL  
 8 REEL / CARTON = 3,600 PCS

UNLESS OTHERWISE SPECIFIED TOLERANCES		东莞市汉博电子科技有限公司 DONGGUAN HANBO TECHNOLOGY CO., LTD			
DECIMALS:	ANGLES:	TITLE			
X : $\pm 0.30$	X : $\pm 2^\circ$	DWN	xiong	USB TYPE C 3.2 24PIN SMT UPRIGHT STRAIGHT TAB	
X.X : $\pm 0.20$	X.X : $\pm 1^\circ$	CHKD	lee	PART NO.	MC-265C
X.XX : $\pm 0.10$		APVD	wang	SCALE: 1:1	UNIT: mm
				SIZE: A4	SHEET: 10F 1
					REV: A4
CUSTOMER COPY					