



REV.	ECN NO OR DESCRIPTION	REVISED	DATE

NOTES:

1. MATERIAL:

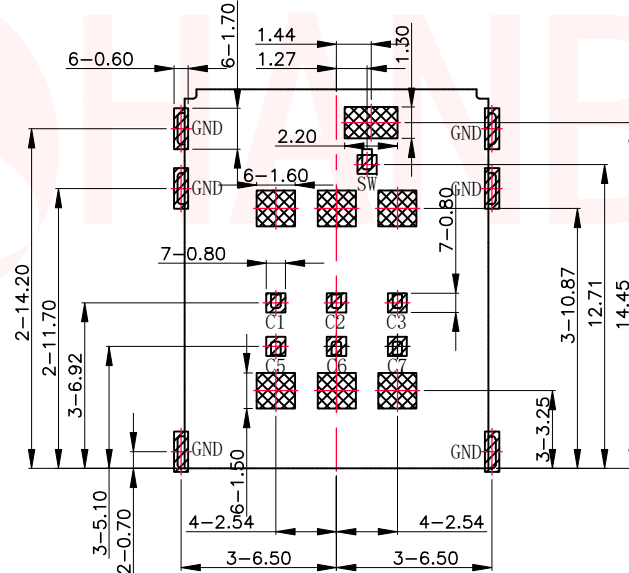
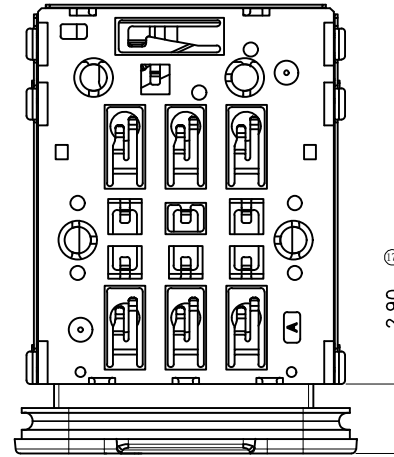
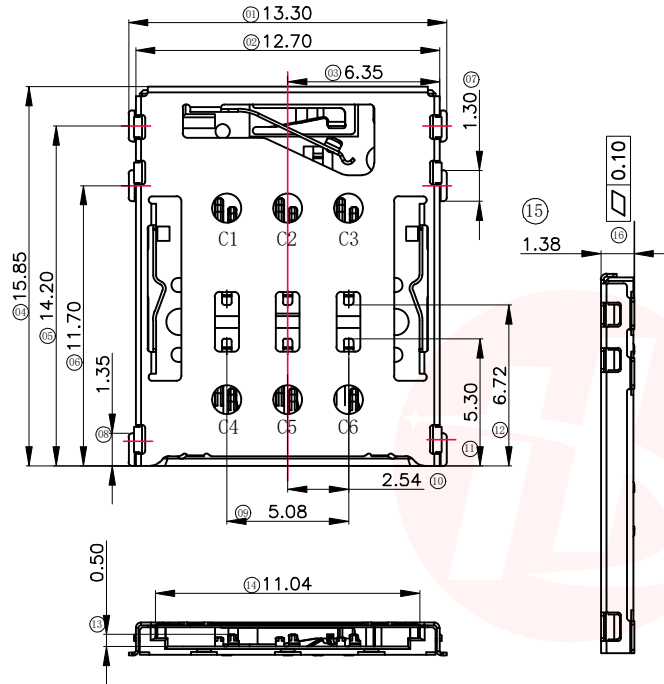
HOUSING: High Temperature Thermoplastic
Terminal: Copper Alloy
Shell: Stainless Steel

2. PLATING:

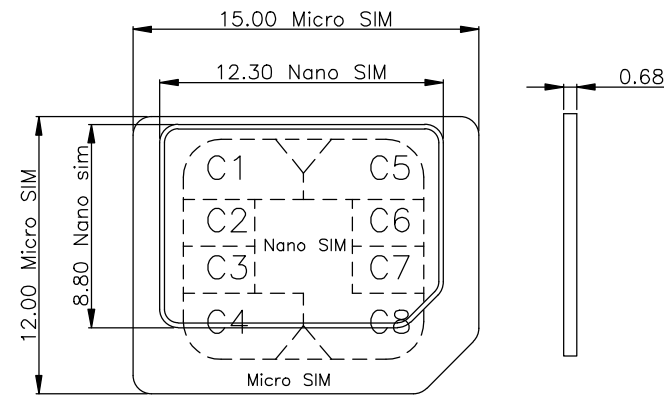
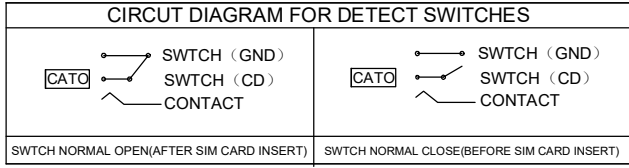
Terminal: 50u" Ni UNDERPLATED OVERALL
G/F PLATED ON CONTACT AREA AND SOLDER AREA
Shell: 30u" Ni UNDERPLATED OVERALL
G/F PLATED ON CONTACT AREA AND SOLDER AREA

3. TECHNICAL SPECIALITY:

RATED VOLTAGE: 30V AC MAX.
CURRENT RATING: 0.5A MAX.
INSULATION RESISTANCE: 1000MΩ MIN
CONTACT RESISTANCE: 50mΩ MAX
WITHSTANDING VOLTAGE: 500V AC FOR 1 MINUTES
INSERTION FORCE: 12N MAX
PUSH-OUT FORCE: 2N MIN
OPERATING TEMPERATURE: -40°C~+85°C Humidity 80% R.H MAX



PIIN/NO	ASSIGNMENT
C1	VCC
C2	RST
C3	CLK
SW	DetectSwitch
C5	GND
C6	VPP
C7	I/O



RECOMMENDED PCB LAYOUT

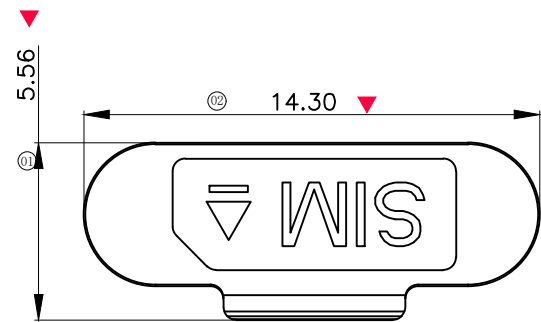
TOLERANCE: ± 0.05

- SMT SOLDER AREA
- COPPER RESTRICTED AREA
- 1. TOUCH AREA OF CONTACT TIPS NO ELECTRICAL FUNCTION
- 2. NO FIRST PCB_LAYOUT CIRCUITS IN THE AREA

UNLESS OTHERWISE SPECIFIED TOLERANCES		东莞市汉博电子科技有限公司 DONGGUAN HANBO TECHNOLOGY CO., LTD			
DECIMALS:	ANGLES:	TITLE	NANO SIM CARD 7PIN 1.38H PIN-PUSH		
X ±0.30	X ±2°	DWN	xiong	PART NO. SNO-1470	
X.X ±0.20	X.X ±1°	CHKD	lee	SCALE:1:1	UNIT: mm
X.XX ±0.10		APVD	wang	SIZE: A4	SHEET:10F 1
REV: A4					
CUSTOMER COPY					

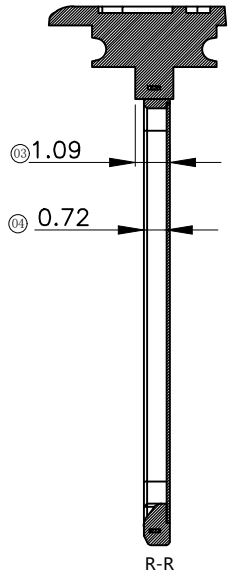
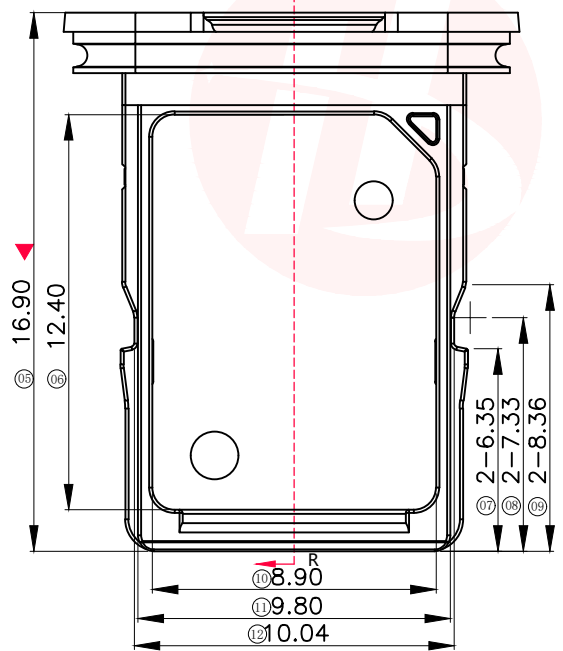
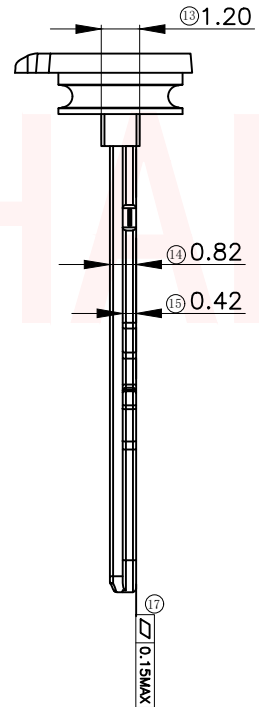
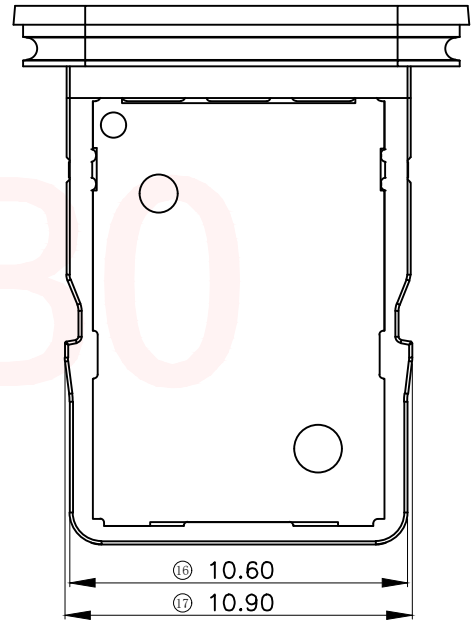


REV.	ECN NO OR DESCRIPTION	REVISED	DATE



NOTES:
 1. MATERIAL:
 HOUSING: Polycarbonate Black UL94V-0
 Terminal: Copper Alloy
 Shell: Stainless Steel
 2. Product should not shrink, dirty, deformation, lack of material
 3. Products must comply with RoHS requirements

如需防水需要装配防水圈



UNLESS OTHERWISE SPECIFIED TOLERANCES		东莞市汉博电子科技有限公司 DONGGUAN HANBO TECHNOLOGY CO., LTD			
DECIMALS:	ANGLES:	TITLE	NANO SIM 1.38H 防水卡托		
X : ±0.30	X : ±2°	DWN	xiong	PART NO. SNO-1470-KT-A	
X.X : ±0.20	X.X : ±1°	CHKD	lee	SCALE: 1:1	UNIT: mm
X.XX : ±0.10		APVD	wang	SIZE: A4	SHEET: 1 OF 1
CUSTOMER COPY					

A
B
C
D

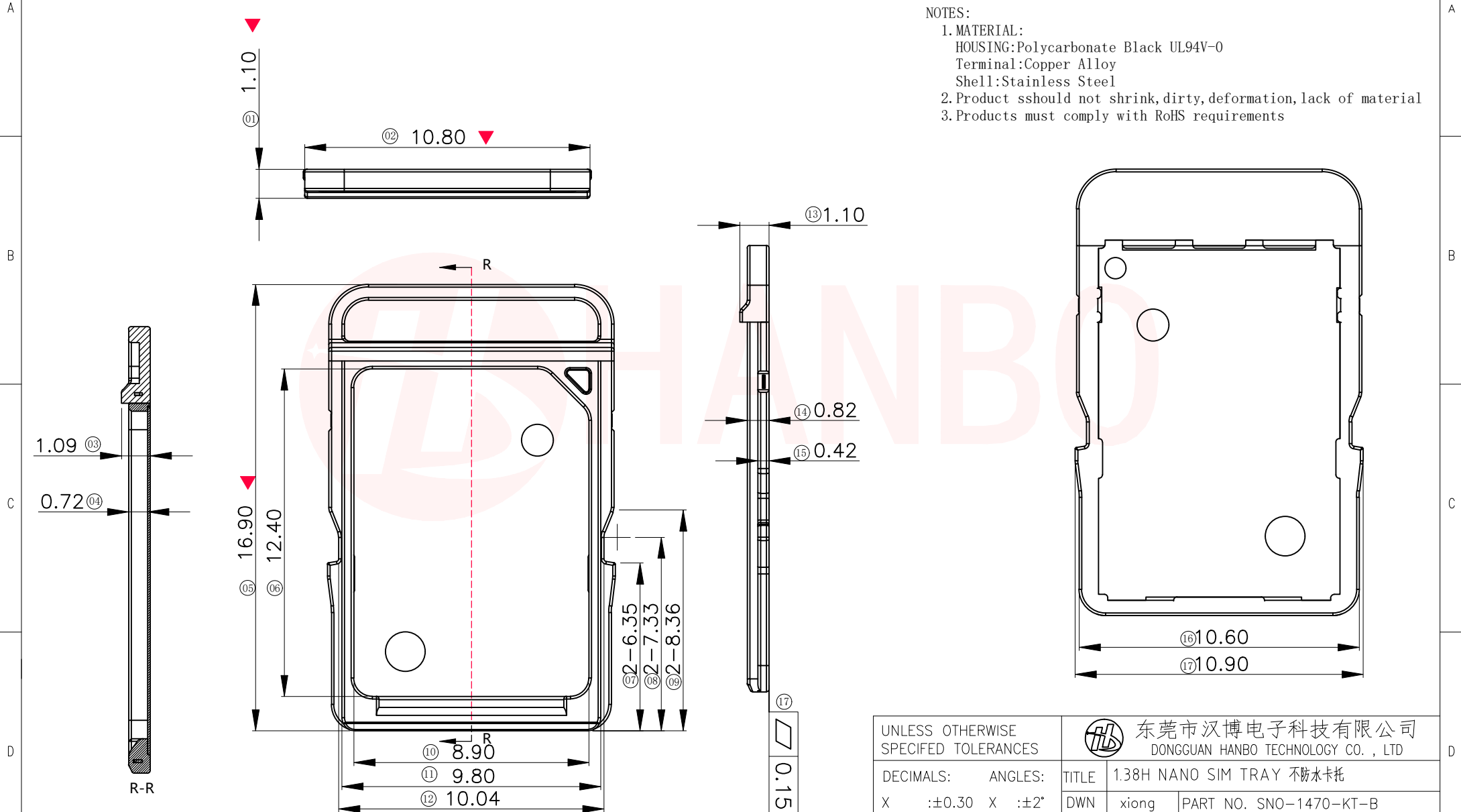
A
B
C
D



REV.	ECN NO OR DESCRIPTION	REVISED	DATE

NOTES:

- MATERIAL:
HOUSING: Polycarbonate Black UL94V-0
Terminal: Copper Alloy
Shell: Stainless Steel
- Product should not shrink, dirty, deformation, lack of material
- Products must comply with RoHS requirements

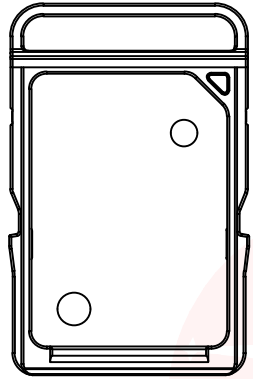


UNLESS OTHERWISE SPECIFIED TOLERANCES		东莞市汉博电子科技有限公司 DONGGUAN HANBO TECHNOLOGY CO., LTD		
DECIMALS:	ANGLES:	TITLE 1.38H NANO SIM TRAY 不防水卡托		
X : ±0.30	X : ±2°	DWN	xiong	PART NO. SNO-1470-KT-B
X.X : ±0.20	X.X : ±1°	CHKD	lee	SCALE: 1:1 UNIT: mm
X.XX : ±0.10		APVD	wang	SIZE: A4 SHEET: 10F 1 REV: A4
CUSTOMER COPY				

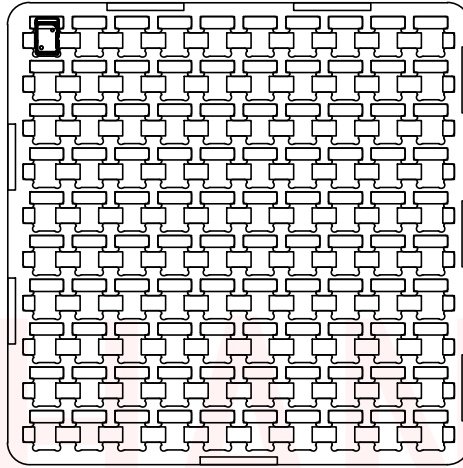
0.15MAX



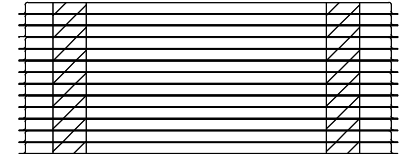
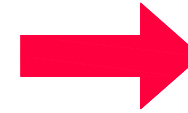
REV.	ECN NO OR DESCRIPTION	REVISED	DATE



PRODUCT



TRAY

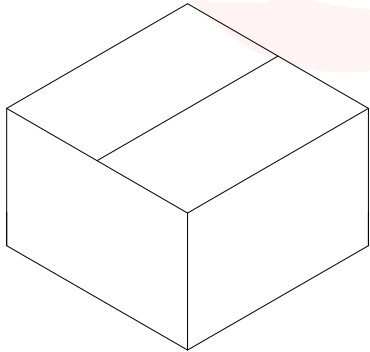
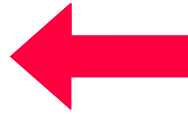


51PCS/Box

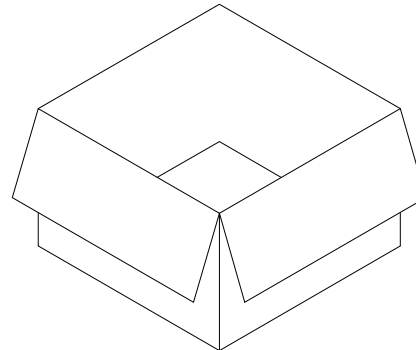
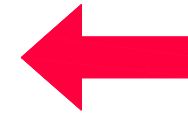
An empty plate on top



PE Bag



BOX



料号	品名规格	数量
	Clapboard (Material B=B T=7 210*210)	2PCS
	Box (K=K,T=7.0,240*240*215)	1PCS
	PE Bag (T=0.08mm, 400*500, Opening400)	1PCS
	Blister plate (100PCS/Plate)	51PCS
SNO-1470-KT-B	Product	4000PCS

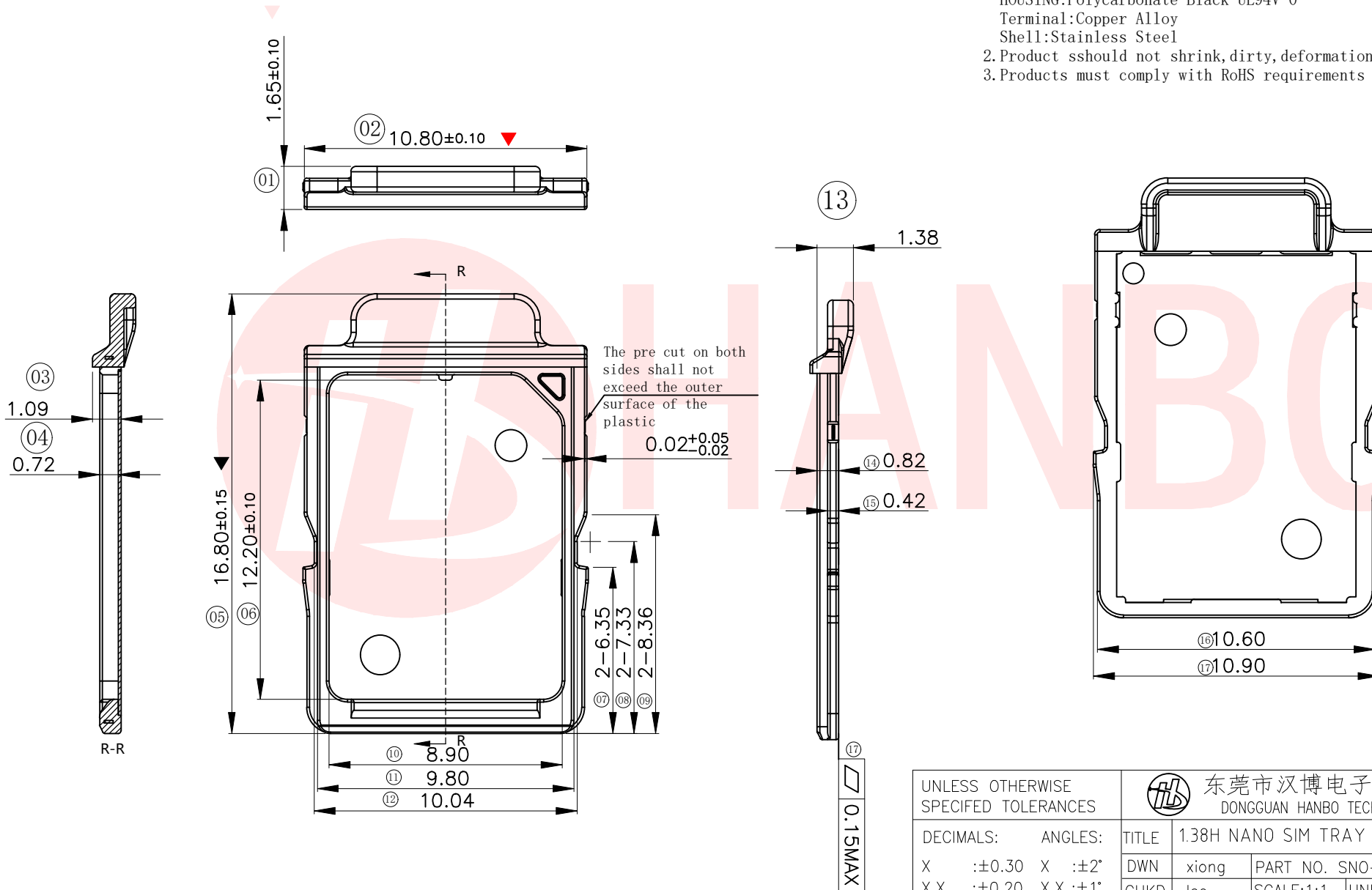
UNLESS OTHERWISE SPECIFIED TOLERANCES		东莞市汉博电子科技有限公司 DONGGUAN HANBO TECHNOLOGY CO., LTD			
DECIMALS:	ANGLES:	TITLE	1.38H NANO SIM TRAY 包装示意图		
X :±0.30	X :±2°	DWN	xiong	PART NO. SNO-1470-KT-B	
X.X :±0.20	X.X :±1°	CHKD	lee	SCALE:1:1	UNIT: mm
X.XX :±0.10		APVD	wang	SIZE: A4	SHEET:10F 1
					REV: A4
				CUSTOMER COPY	



REV.	ECN NO OR DESCRIPTION	REVISED	DATE

NOTES:

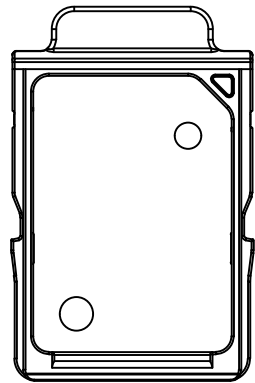
- MATERIAL:
HOUSING: Polycarbonate Black UL94V-0
Terminal: Copper Alloy
Shell: Stainless Steel
- Product should not shrink, dirty, deformation, lack of material
- Products must comply with RoHS requirements



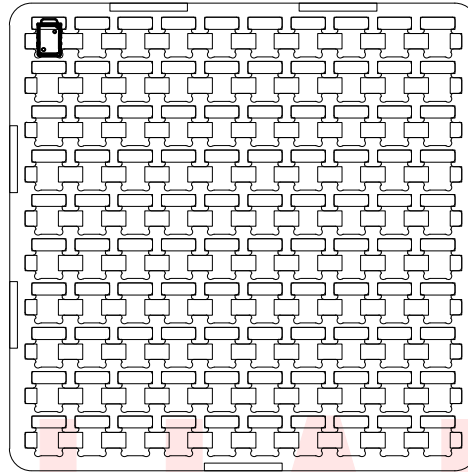
UNLESS OTHERWISE SPECIFIED TOLERANCES		东莞市汉博电子科技有限公司 DONGGUAN HANBO TECHNOLOGY CO., LTD			
DECIMALS:	ANGLES:	TITLE	1.38H NANO SIM TRAY 不防水卡托C款		
X :±0.30	X :±2°	DWN	xiong	PART NO. SNO-1470-KT-C	
X.X :±0.20	X.X :±1°	CHKD	lee	SCALE: 1:1	UNIT: mm
X.XX :±0.10		APVD	wang	SIZE: A4	SHEET: 10F 1
		REV: A4			
CUSTOMER COPY					



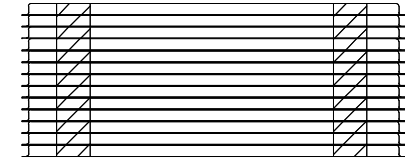
REV.	ECN NO OR DESCRIPTION	REVISED	DATE



PRODUCT

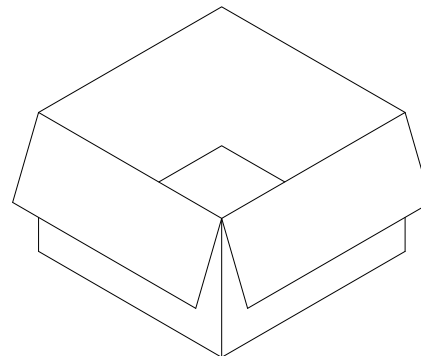
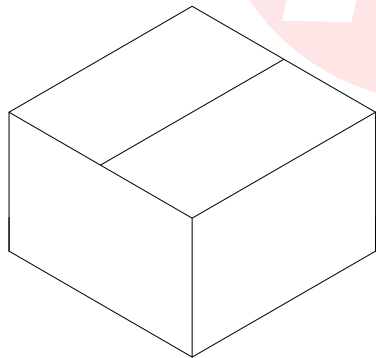


TRAY



51PCS/Box

An empty plate on top



BOX



PE Bag

料号	品名规格	数量
	Clapboard (Material B=B T=7 210*210)	2PCS
	Box (K=K,T=7.0,240*240*215)	1PCS
	PE Bag (T=0.08mm, 400*500, Opening400)	1PCS
	Blister plate (100PCS/Plate)	51PCS
SNO-1470-KT-C	Product	4000PCS

UNLESS OTHERWISE SPECIFIED TOLERANCES

DECIMALS:	ANGLES:
X :±0.30	X :±2°
X.X :±0.20	X.X :±1°
X.XX :±0.10	



东莞市汉博电子科技有限公司
DONGGUAN HANBO TECHNOLOGY CO., LTD

TITLE	1.38H NANO SIM TRAY 包装示意图		
DWN	xiong	PART NO. SNO-1470-KT-C	
CHKD	lee	SCALE:1:1	UNIT: mm
APVD	wang	SIZE: A4	SHEET:10F 1
REV: A4			
CUSTOMER COPY			