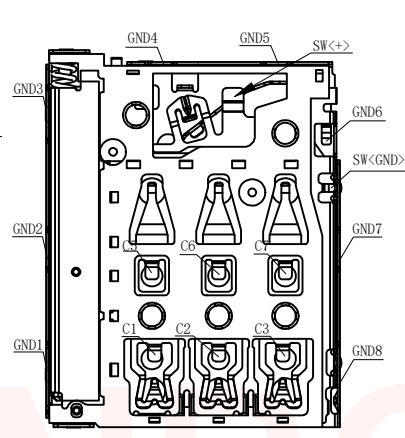
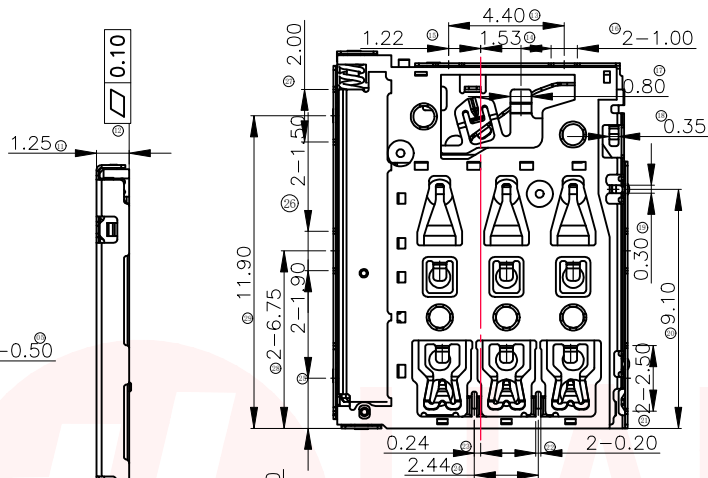
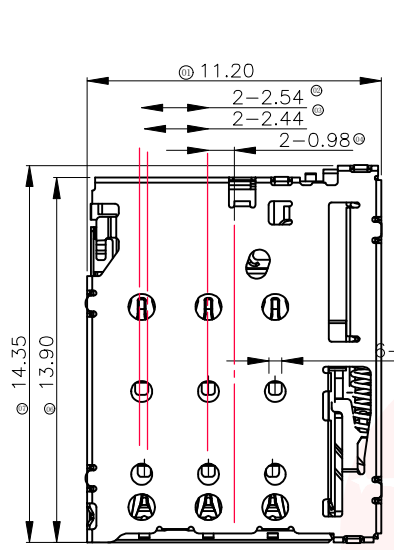
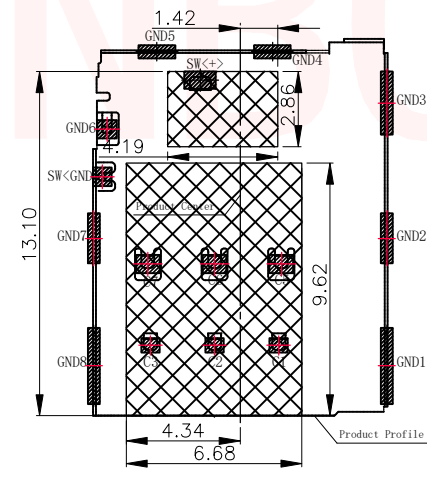
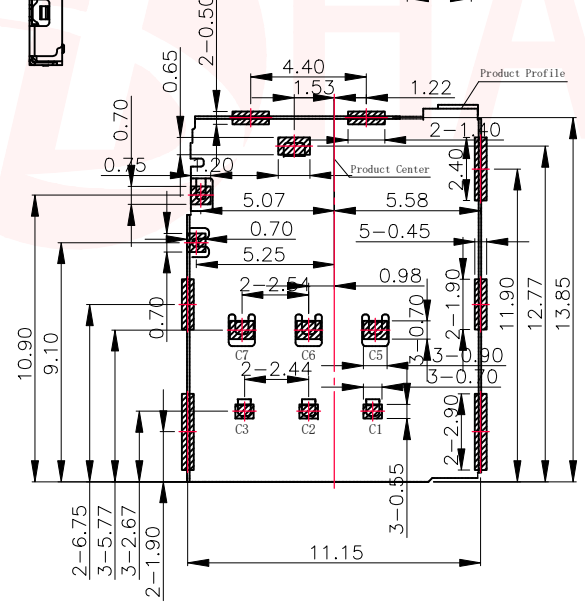
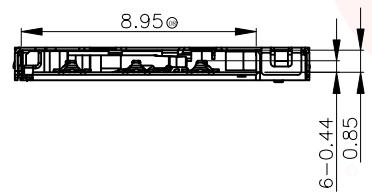




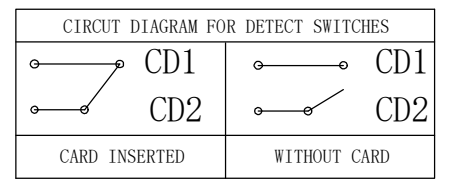
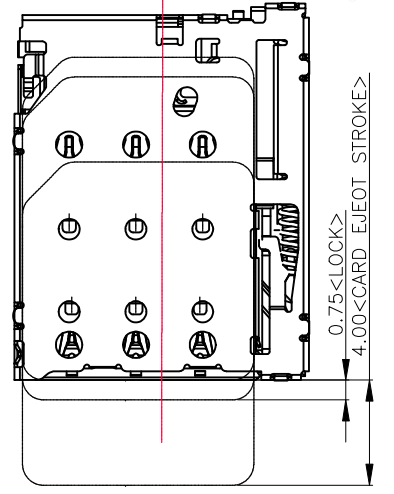
REV.	ECN NO OR DESCRIPTION	REVISED	DATE



Notes:
 1. Material:
 Housing: High Temperature Thermoplastic
 Terminal: Copper Alloy
 Shell: Stainless Steel
 2. Plating:
 Terminal: 50u" Ni Underplated Overall
 G/F Plated On Contact Area
 G/F Plated On Solder Area
 Shell: 30u" Ni Underplated Overall
 G/F Plated On Contact Area And solder Area
 3. Technical Speciality:
 Rated Voltage: 30V
 Current Rating: 0.5A
 Insulation Resistance: 1000MΩ Min.
 Contact Resistance: 100mΩ Max.
 Withstanding Voltage: 500V DC For 1 Minutes.
 Operating Temperature: -40°C ~ +75°C Humidity 80% R.H Max.



PIN/NO	ASSIGNMENT
C1	VCC
C2	RST
C3	CLK
CD	Detect Switch
C5	GND
C6	VPP
C7	I/O



RECOMMENDED PCB LAYOUT<TOLERANCE: ±0.05>
 RECOMMENDED METAL MASK T=0.12MM

- SMT SOLDER AREA
- COPPER RESTRICTED AREA
- 1. TOUCH AREA OF CONTACT TIPS NO ELECTRICAL FUNCTION
- 2. NO FIRST PCB LAYOUT CIRCUITS IN THE AREA

UNLESS OTHERWISE SPECIFIED TOLERANCES

DECIMALS:	ANGLES:
X : ±0.30	X : ±2°
X.X : ±0.20	X.X : ±1°
X.XX : ±0.10	

东莞市汉博电子科技有限公司
 DONGGUAN HANBO TECHNOLOGY CO., LTD

TITLE	NANO SIM卡座 1.25H PUSH PUSH			
DWN	xiong	PART NO. SNO-1450		
CHKD	lee	SCALE:1:1	UNIT: mm	
APVD	wang	SIZE: A4	SHEET: 10F 1	REV: A4
CUSTOMER COPY				